

# SG414

## TEMPERATURE CONTROLLERS



### ■ FEATURES

- Standard Din Size (48 x 48mm)
  - Plug into housing construction
  - Pt100 and thermocouple inputs available
  - Single setpoint version
  - Proven reliability at low cost
- 
- 
-

**■ STANDARD SPECIFICATIONS**

<b>Setpoint Accuracy</b>	<b>: Better Than +/- 1%</b>
<b>Switching Hysterisis</b>	<b>: Below 600°C +/- 1.2°C Above 600°C +/- 2.4°C</b>
<b>Control Action</b>	<b>: On / Off</b>
<b>Input</b>	<b>: Refer Model Number Code</b>
<b>Output</b>	<b>: Relay 5A 250VAC (Resistive Load)</b>
<b>Ambient Humidity</b>	<b>: 10 ~ 90% RH (Non Condensing)</b>
<b>Operating Temperature</b>	<b>: 0 ~ 50°C</b>
<b>Supply Voltage</b>	<b>: 85 ~ 265 VAC</b>
<b>Power Consumption</b>	<b>: Less Than 5VA</b>
<b>Dimintions</b>	<b>: 48 x 48 x 95 mm</b>
<b>Mass</b>	<b>: Approx. 150g</b>



### ■ MODEL NUMBER CODE

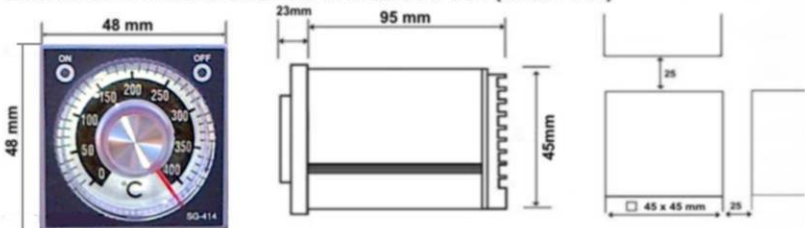
MODEL	SUFFIX CODE					DESCRIPTION
SG414	<input type="checkbox"/>	<input type="checkbox"/>	<input type="checkbox"/>	<input type="checkbox"/>	<input type="checkbox"/>	
DISPLAY	N					NON INDICATING
MAIN CONTROL ACTION	A					ON ~ OFF CONTROL
NUMBER OF OUTPUTS		1				SINGLE SET POINT
INPUT			J K P			THERMOCOUPLE TYPE J THERMOCOUPLE TYPE K RTD Pt100 Ohm IEC 751 ( 3 WIRE SYSTEM)
CONTROL OUTPUT				R		RELAY OUTPUT 5A 250VAC RES.

### ■ STANDARD SCALE RANGES

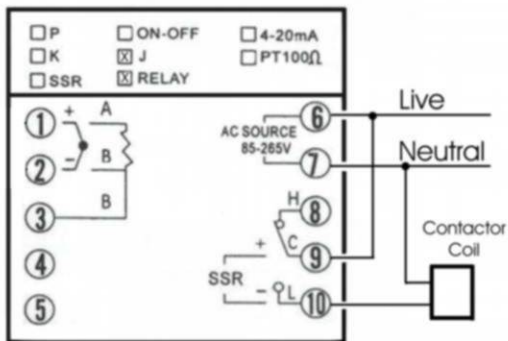
INPUT	TYPE	RANGE °C
THERMOCOUPLE	J	0 ~ 400°C
	K	0 ~ 400°C 0 ~ 1200°C
RTD	PT100	0 ~ 100 0 ~ 200

\* OTHER RANGES ARE AVAILABLE ON REQUEST  
PLEASE CONTACT YOUR NEAREST SALES OFFICE

## EXTERNAL DIMENSIONS AND PANEL CUT-OUT (Units : mm)



## TERMINAL CONNECTIONS



## REPRESENTED BY: