



| TYPE | TR210 Series | TR220 Series |
|-------------------------|---------------|--------------|
| | Non-Isolation | Isolation |
| Input : RTD 、 TC 、 Rohm | | |

Function Summary

Features:

| | | |
|-------------------------------|------------------------|--------------|
| Power Supply(Vdc) | 12~36 Vdc (Loop Power) | 24 VDC ± 20% |
| Ambient temperature range(°C) | -40~85 | -40~85 |
| Isolation | N/A | 1500Vac |
| Channels | 1 | 1 |
| CJC Accuracy(°C) | +1 | +1 |

Input:

| | | |
|----------------------------|------------------------|------------------------|
| PT100 Span /min. span(°C) | -200~850 / 10 | -200~850 / 10 |
| PT1000 Span /min. Span(°C) | -200~850 / 10 | -200~850 / 10 |
| Rohm Span /min. Span(Ω) | 0~400 or 0~4000 / 10 | 0~400 or 0~4000 / 10 |
| TC types | B, E, J, K, N, R, S, T | B, E, J, K, N, R, S, T |

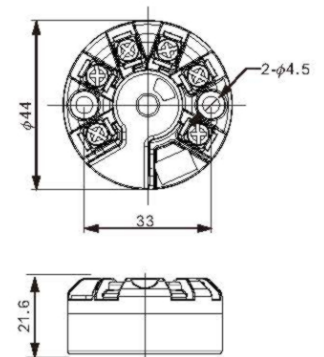
Output:

| | | |
|--------------------------|------------------|------------------|
| Loop Power 2-wire output | 4~20mA or 20~4mA | 4~20mA or 20~4mA |
|--------------------------|------------------|------------------|

Technical Summary

| | Basic Accuracy | Temperature Coefficient |
|----------------------------|----------------|-------------------------|
| PT100-2Wiers/PT1000-2Wiers | +1°C | +0.005% / °C |
| PT100-3Wiers/PT1000-3Wiers | +0.5°C | +0.005% / °C |
| PT100-4Wiers/PT1000-4Wiers | +0.5°C | +0.005% / °C |
| TC type: E, J, K, N, R, S | +1.5°C | +0.01% / °C |
| TC type: B | +2°C | +0.04% / °C |
| TC type: T | +1°C | +0.01% / °C |
| Rohm | +0.1Ω | +0.005% / °C |

Dimensions



(Unit: mm)

Ordering Information

TR2□□-□□□-□X□□-□

| | |
|---------------|--|
| Type | 10: None isolation 20: Isolation 1.5KV |
| Explosion | 0: None |
| Communication | 0: None |
| Output | 0: 4~20mA 1: 20~4mA |
| Input type | T: Thermocouple/RTD D: RTD C: Thermocouple |
| Input range | On right |
| Unit | 0: °C 1: °F |

| Input type | Unit | Input range | Input type | Unit | Input range | | |
|------------------------------------|------------------------------------|--|------------|------|--|-----------------------------------|-----------------------------------|
| C | °C | 00 All Type By Type or PT100 2/4 Wires | T | °C | 00 All Type By Type or PT100 2/4 Wires | | |
| | | 01 All Type By Type or PT1000 2/4 Wire | | | 01 All Type By Type or PT1000 2/4 Wire | | |
| | | 02 All Type By Type or PT100 3 Wire | | | 02 All Type By Type or PT100 3 Wire | | |
| | | 03 All Type By Type or PT1000 3 Wire | | | 03 All Type By Type or PT1000 3 Wire | | |
| | | 10 K Type -200°C ~ 1370°C | | | 10 K Type -200°C ~ 1370°C | | |
| | | 11 K Type -90°C ~ 320°C | | | 11 K Type -90°C ~ 320°C | | |
| | | 20 J Type -210°C ~ 1200°C | | | 20 J Type -210°C ~ 1200°C | | |
| | | 21 J Type -90°C ~ 320°C | | | 21 J Type -90°C ~ 320°C | | |
| | | 30 T Type -200°C ~ 400°C | | | 30 T Type -200°C ~ 400°C | | |
| | | 40 E Type -200°C ~ 1000°C | | | 40 E Type -200°C ~ 1000°C | | |
| | | 50 R Type -50°C ~ 1760°C | | | 50 R Type -50°C ~ 1760°C | | |
| | | 60 S Type -50°C ~ 1760°C | | | 60 S Type -50°C ~ 1760°C | | |
| | | 70 B Type -250°C ~ 1820°C | | | 70 B Type -250°C ~ 1820°C | | |
| | | 80 N Type -200°C ~ 1300°C | | | 80 N Type -200°C ~ 1300°C | | |
| | | D | | | °C | A0 PT100 2/4 wires -200°C ~ 850°C | A0 PT100 2/4 wires -200°C ~ 850°C |
| | | | | | | A1 PT100 3 wires -200°C ~ 850°C | A1 PT100 3 wires -200°C ~ 850°C |
| B0 PT1000 2/4 wires -200°C ~ 850°C | B0 PT1000 2/4 wires -200°C ~ 850°C | | | | | | |
| B1 PT1000 3 wires -200°C ~ 850°C | B1 PT1000 3 wires -200°C ~ 850°C | | | | | | |